

# Temp-1Wire - Temperature sensor

Digital temperature sensor for indoor and outdoor usage. The sensor is designed for using with the Poseidon, Ares, HWg-STE and other HW group products.

You can have several parallel sensors on one RJ11 sensor port. Each one sensor is identified by a unique serial number.



**Temp-1Wire 3m IP67**  
-10°C to +80°C



**Temp-Rack19**  
-10°C to +80°C



**Temp-1Wire 3m**  
-10°C to +80°C



**Temp-1Wire-Outdoor 3m**  
-50°C to +125°C



**Temp-1Wire-Flat 3m**  
-30°C to +60°C



**Temp-1Wire 1m**  
-10 to +80°C

## Technical parameters

- |                             |  |
|-----------------------------|--|
| • Temperature range         | Various per type, check the table on second page                                   |
| • Temperature resolution    | 0.1 °C   |
| • Temp. measuring accuracy  | ± 0.8 °C in range from -10°C to +80°C<br>± 2.0 °C in whole range (-50°C to +125°C) |
| • Communication             | 1-Wire bus (Data, GND, +5V) - RJ11   |
| • Storage temperature range | -30°C to +80°C   |

- **Temp-1Wire Rack19**

- Probe dimension & cable 83 x 44 x 18 mm, 2x RJ11, cable 3m included
- Montage drill 2x Ø6mm



- **Temp-1Wire-Outdoor**

- Probe dimension Ø 5.7mm, 60mm long, stainless steel
- Cable probe silicon cable 3m



## Sensors & Accessories



HTemp-1Wire 3m



Temp-1Wire 1m



Temp-1Wire-Flat 3m



T-Box



HTemp-1Wire Outdoor 3m



Temp-Rack19



HTemp-1Wire Box2

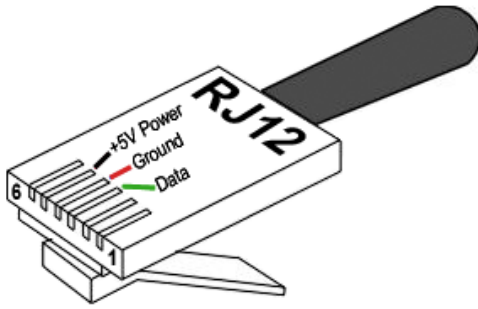


T-Box

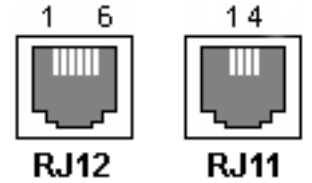
## Temperature & Humidity sensors & Accessories

<b>HTemp-1Wire 3m</b>	Temperature & Humidity sensor (-30 to +80°C, 0 to 100% RH). 3 meter long cable with 1-Wire connector RJ11, encased in black covering.
<b>HTemp-1Wire Box2</b>	Temperature & Humidity sensor (-10 to +80°C, 0 to 100% RH). Boxed sensor designed for internal use, 2x RJ11 daisy-chainable 1-Wire, 3m cable included.
<b>HTemp-1Wire Rack19</b>	Temperature & Humidity sensor (-10 to +80°C, 0 to 100% RH). 1U rack mount housing, 2x RJ11 daisy-chainable 1-Wire, 3m cable included. Sensor designed for 19" rack cabinets.
<b>Humid-1Wire 1m / 3m / 10m</b>	Humidity sensor (0 to 100% RH) on a 1m / 3m / 10m long cable with 1-Wire connector RJ11, encased in black covering.
<b>HTemp-1Wire Outdoor 3m</b>	Temperature & Humidity outdoor sensor (-30 to +85°C, 0 to 100% RH). 3 meter long cable with 1-Wire connector RJ11. Sensor encased in outdoor metal tube.
<b>T-Box</b>	Hub for connecting 1 to 5 sensors to 1-Wire bus (5x RJ11), 10 cm connecting cable.
<b>T-Box2</b>	Hub for connecting 1 or 2 sensors to 1-Wire sensors (RJ11), 3 m connecting cable.
<b>Temp-1Wire 3m IP67</b>	Temperature sensor (-10°C to +80°C), on a 3 meter long cable with 1-Wire connector RJ11. Watertight (IP67) sensor probe, stainless steel 17241.
<b>Temp-1Wire 10m IP67</b>	Temperature sensor (-10°C to +80°C), on a 10 meter long cable with 1-Wire connector RJ11. Watertight (IP67) sensor probe, stainless steel 17241.
<b>Temp-1Wire 1m / 3m / 10m</b>	Temperature sensor (-10°C to +80°C), on a 1 / 3 / 10 meter long cable with 1-Wire connector RJ11, encased in white covering.
<b>Temp-1Wire-Outdoor 3m</b>	Temperature outdoor sensor (-50°C to +125°C) - Multi-purpose watertight (IP67) sensor probe, stainless steel 17241 with PVC cable 3m, 1-Wire connector RJ11.
<b>Temp-1Wire-Flat 3m</b>	Temperature sensor for freezers (-30 to +60°C), watertight (IP67) stainless steel 17241 probe, flat cable 3m, 1-Wire connector RJ11.
<b>Temp-Rack19</b>	Temperature sensor (-10 to +80°C), 1U rack mount housing, 2x RJ11 daisy-chainable 1-Wire, 3m cable included. Sensor designed for 19" rack cabinets.

# Connectors



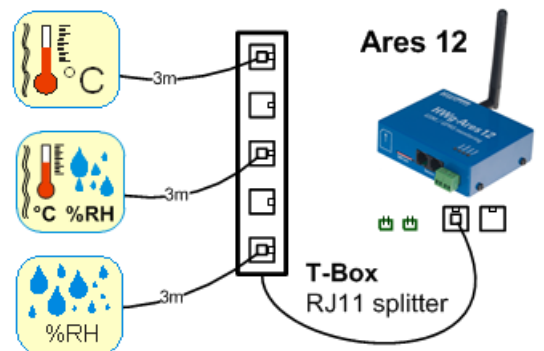
RJ12	RJ11			
3	2	Data	<->	Data 1-Wire
4	3	GND	---	System Ground
5	4	+5V	---	Power supply



## Sensors wiring examples

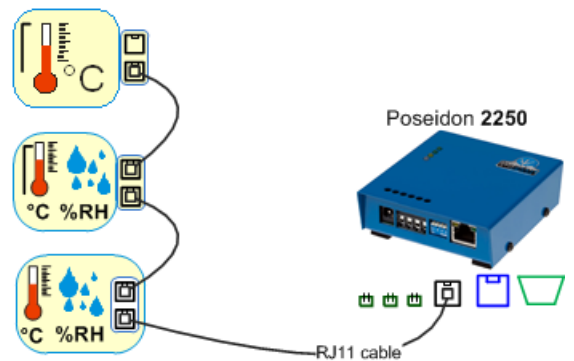
### Star topology – 60m in total:

You can use the T-Box or T-Box2 splitters to connect more sensors to one device active port.



### Daisy-chained – 60m in total:

There are **two** RJ11 female connectors on some sensors.



### 4x active port, 4x60m:

