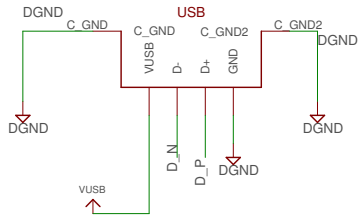
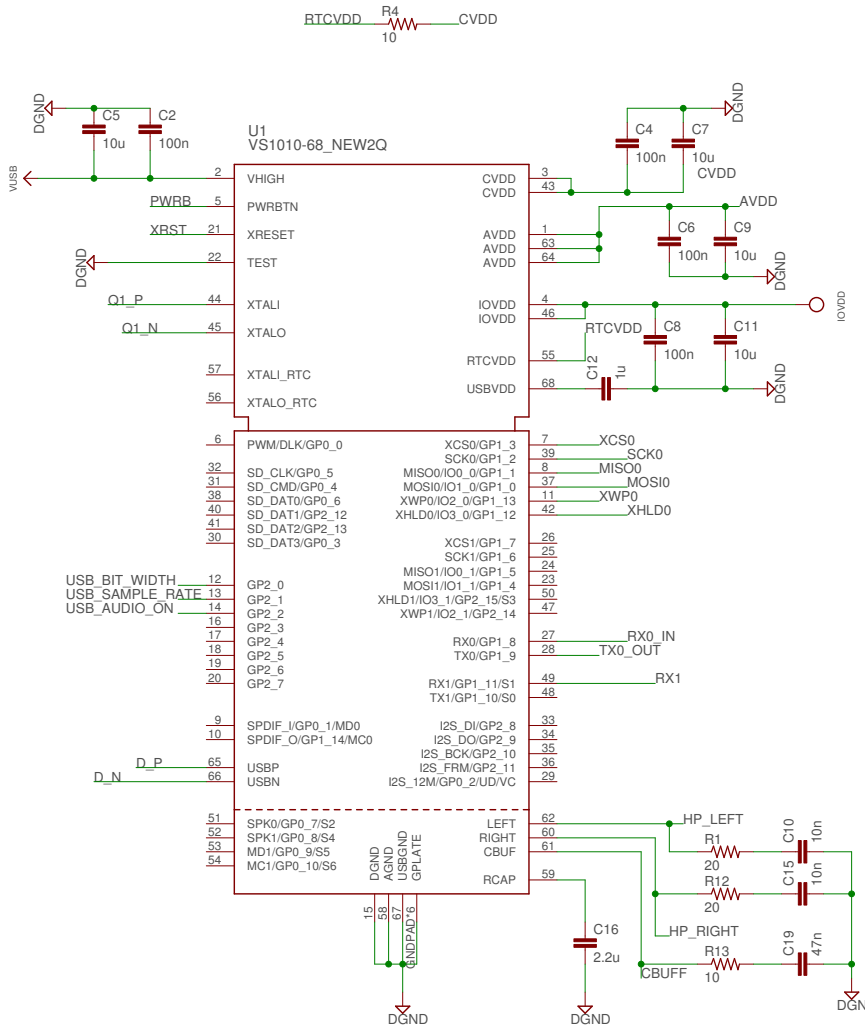


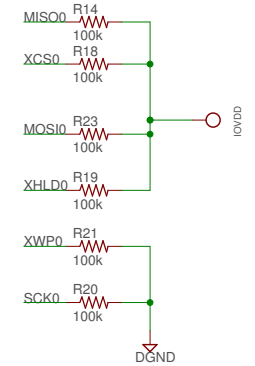
USB type A male plug



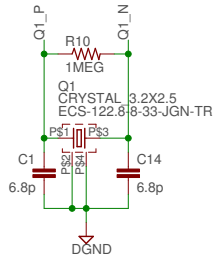
VS1010



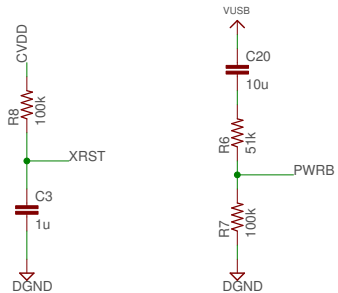
boot mode selection USB audio MODE 5



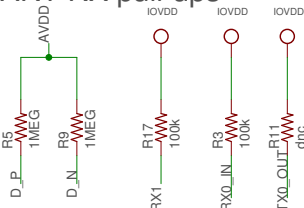
Crystal 12.288MHz



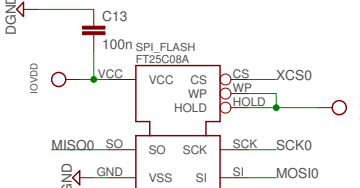
PWR latch-on and reset pull-ups



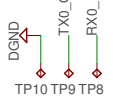
UART RX pull-ups



SPI Flash



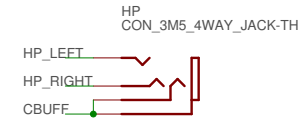
UART test



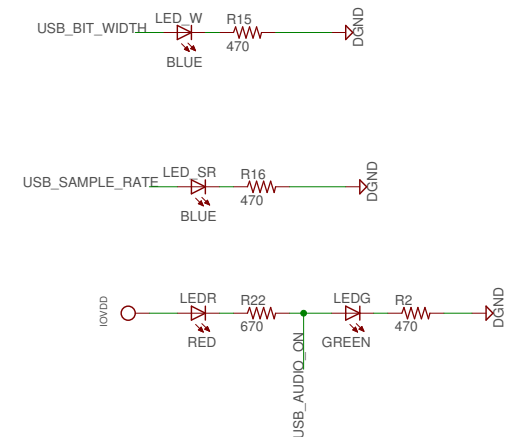
test pads for assembly machine



Headphones



format LEDs



-added a TX0 pull-up 100k (optional)
-changed rcap from 100n to 2.2u