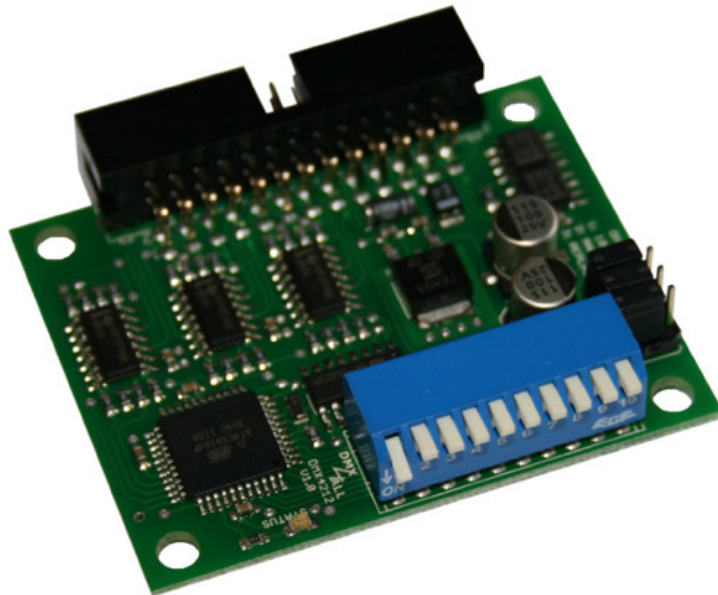


DMX-Multiplexer 12 Channel



DMX [®]
ALL

Description

The **DMX-Multiplexer** changes 12 analogue 0-10V or 0-5V input signals into DMX-values. From the adjusted starting address the DMX-channels will be outputted at the DMX-output.

Several DMX-Multiplexer can be switched in succession. The DMX-IN from the first Multiplexer remains not wired. The DMX-OUT will be connected to the DMX-IN of the followed Multiplexer. The starting address must be adjusted in accordance: 1 for the first, 13 for the second and so on.

Furthermore the DMX-Multiplexer can be converted to digital input signals. In this mode a DMX-value 0 or 255 will be displayed. The switching threshold has 50% of the input voltage.

With another mode the DMX-Multiplexer has the function to work as a master dimmer. Each DMX-value will be multiplied with the analogue input signal and outputted by the DMX-output.

Data sheet

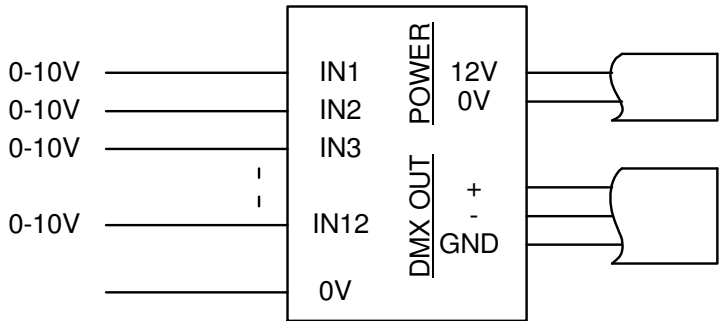
| | |
|-----------------|---|
| Power supply: | 12V DC / 100mA |
| DMX-Inputs: | 1 DMX-Input / 512 channels |
| DMX-Output: | 1 DMX-Output / 512 channels |
| Analogue input: | 12 |
| Dimensions: | 46mm x 58mm (without overcoming components) |

Connections



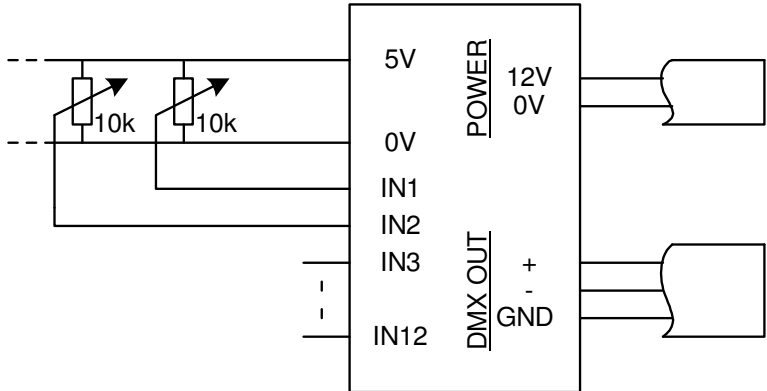
| PIN | Description | PIN | Description |
|------------|--------------------|------------|--------------------|
| 1 | Input 1 | 2 | Input 2 |
| 3 | Input 3 | 4 | Input 4 |
| 5 | Input 5 | 6 | Input 6 |
| 7 | Input 7 | 8 | Input 8 |
| 9 | Input 9 | 10 | Input 10 |
| 11 | Input 11 | 12 | Input 12 |
| 13 | 5V (OUT) | 14 | 5V (OUT) |
| 15 | 0V (GND) | 16 | 0V (GND) |
| 17 | Supply voltage 12V | 18 | 0V (GND) |
| 19 | Supply voltage 12V | 20 | 0V (GND) |
| 21 | DMX-IN + | 22 | DMX-OUT + |
| 23 | DMX-IN - | 24 | DMX-OUT - |
| 25 | DMX-IN GND | 26 | DMX-OUT GND |

Operation with external 0-10V voltage



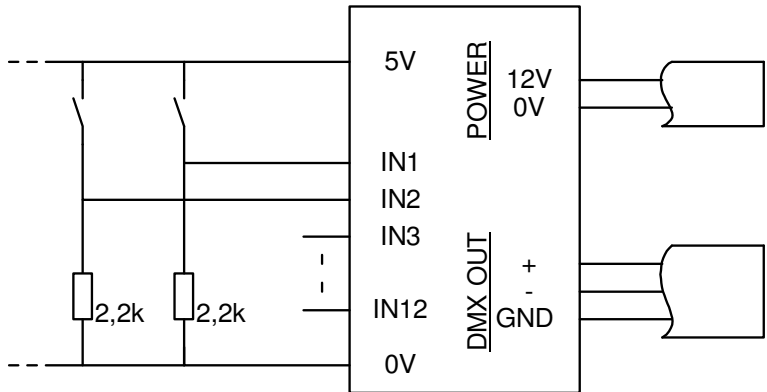
Operation with external potentiometer

Jumper J1 (0-5V) must be set !

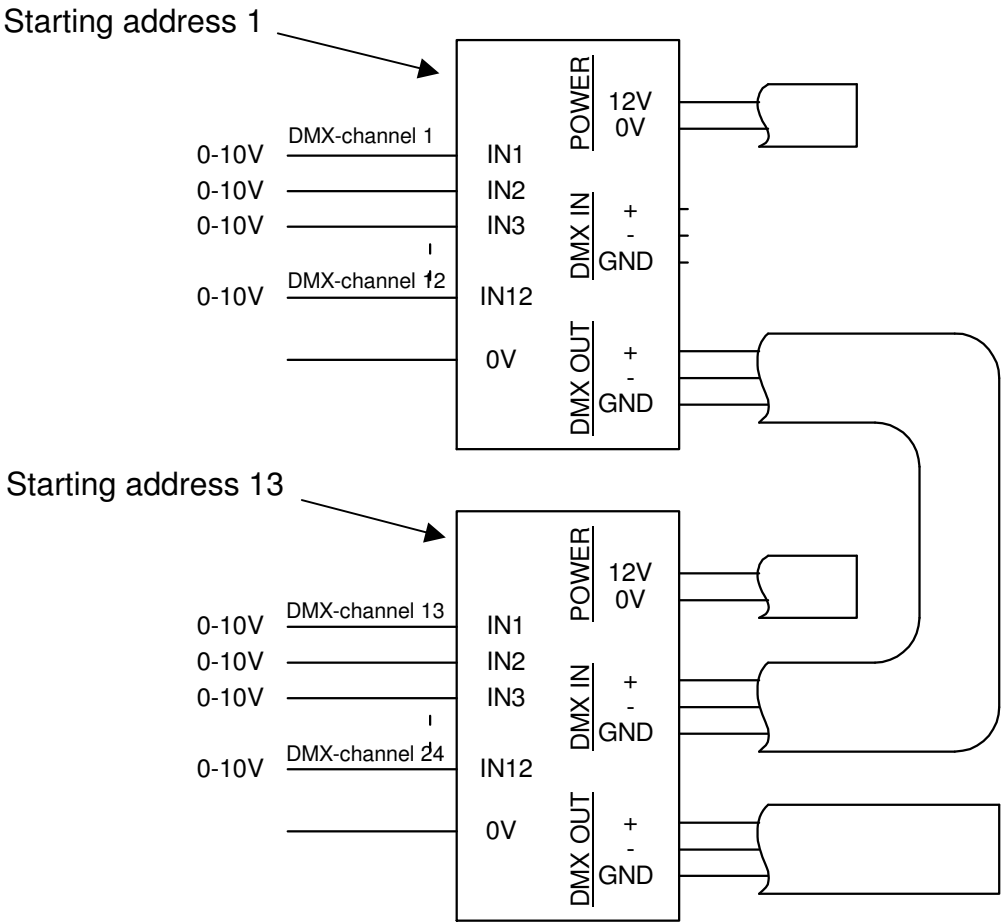


Operation with external switch

Jumper J1 (0-5V) must be set !

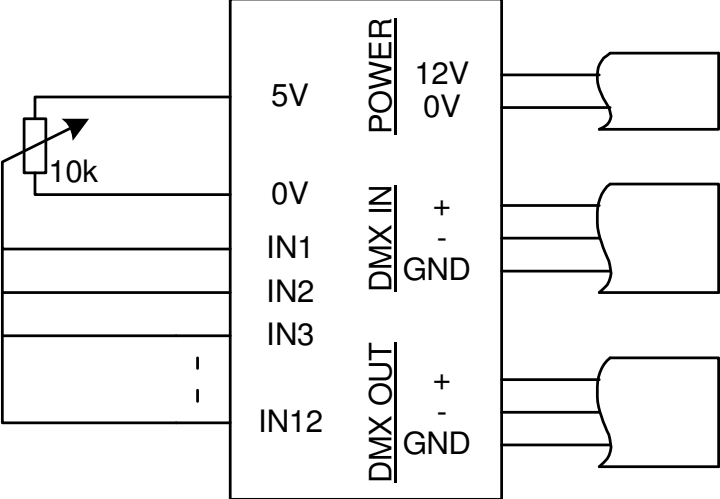


Operation with 2 cascaded Multiplexer



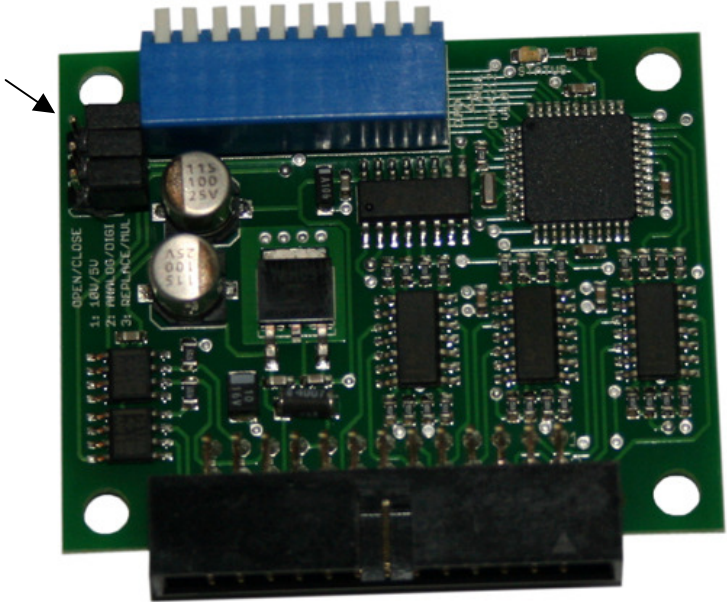
Operation as 12 channel master dimmer

Jumper J1 (0-5V) must be set !



Configuration

J1: 0-10V (OFF) / 0-5V (ON)
J2: ANALOGUE (OFF) / DIGITAL (ON)
J3: REPLACE (OFF) / MULTIPY (ON)





Risk-Notes

You purchased a technical product. Conformance to the best available technology the following risks should not be excluded:

Failure risk: The device can drop out partially or completely at any time without warning. To reduce the probability of a failure a redundant system structure is necessary.

Initiation risk: For the installation of the board, the board must be connected and adjusted to foreign components according to the device paperwork. This work can only be done by qualified personnel, which read the full device paperwork and understand it.

Operating risk: The Change or the operation under special conditions of the installed systems/components could as well as hidden defects cause to breakdown within the running time.

Misusage risk: Any nonstandard use could cause incalculable risks and is not allowed.

Warning: It is not allowed to use the device in an operation, where the safety of persons depend on this device.



DMX4ALL GmbH
Reiterweg 2A
D-44869 Bochum
Germany

© Copyright 2013 DMX4ALL GmbH

All rights reserved. No part of this manual may be reproduced in any form (photocopy, pressure, microfilm or in another

procedure) without written permission or processed, multiplied or spread using electronic systems.

All information contained in this manual was arranged with largest care and after best knowledge.

Nevertheless errors are to be

excluded not completely. For this reason I see myself compelled to point out that I can take over neither a warranty nor the

legal responsibility or any adhesion for consequences, which decrease/go back to incorrect data. This document does not

contain assured characteristics. The guidance and the characteristics can be changed at any time and without previous announcement.