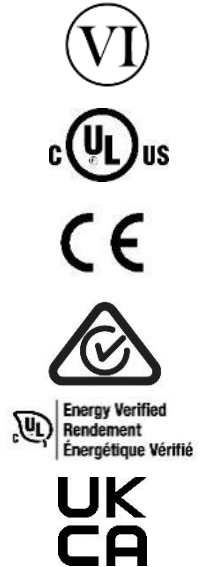




5W Interchangeable Wall Plug Adapter Series



Features

- Double Insulated
- Low Leakage Current
- Field Changeable AC Plugs – Sold Separately
- Low Cost
- US DoE Efficiency Level VI Compliance
- Ecodesign/ErP Lot 7 (EU) 2019/1782 Compliance
- EU CoC Version 5 Tier 2 Compliance
- AS/NZS 4665.1:2005, AS/NZS 4665.2:2005 Compliance
- Class B EMI

Applications

- MPEG Players
- Personal Electronics
- PDA
- Digital Camera



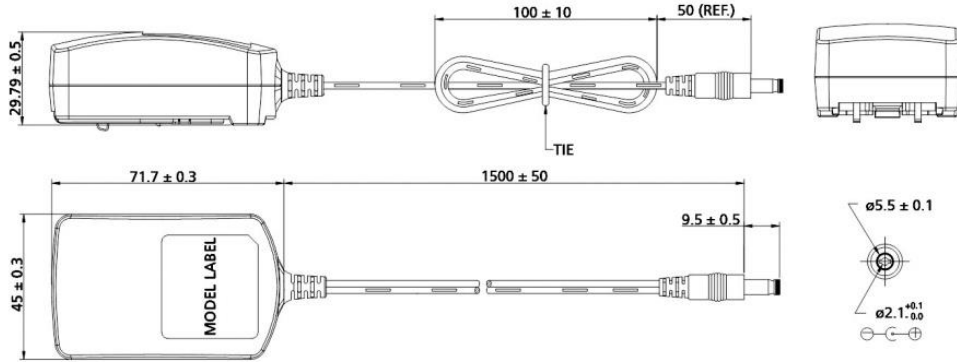
PSAC05R Specifications¹

Model		PSAC05R-050L6-R	PSAC05R-050L6M-R	PSAC05R-050L6B-R ²
Output	DC Output Voltage	5.0V	5.0V	5.0V
	Max Current	1.0A	1.0A	1.0A
	Output Power	5.0W	5.0W	5.0W
	Regulation	± 5%	± 5%	± 5%
	Ripple & Noise P-P(max) ³	200mV	200mV	200mV
Input	AC Input Voltage Range	90 to 264VAC		
	AC Input Frequency	47 to 63Hz		
	Input Current	0.3A (RMS) max for 115Vac/max load 0.15A (RMS) max for 230Vac/max load		
	Inrush Current	<30A for 240VAC (Cold start at ambient 25°C, full load)		
	No Load Power Consumption at 115VAC Input	0.02W	0.02W	0.027W
	No Load Power Consumption at 230VAC Input	0.023W	0.026W	0.040W
	115VAC Average Efficiency ⁴	76.10%	76.91%	77.38%
	230VAC Average Efficiency ⁴	75.60%	75.73%	76.20%
	230VAC 10% Load Efficiency ⁴	69.04%	69.04%	68.45%
	Leakage Current	5uA max at 240VAC, 50Hz		
Protection	Over-Voltage	7.2V max		
	Short Circuit	The output can be shorted permanently without damage. Output current not exceed 950mA(RMS).		
	Over-Current	1.2A max		
Environmental	Operating Temperature	0°C to +40°C		
	Non-Operating Temperature	-40° to +85°C		
	Operating Humidity	90% RH max		
Safety Approvals and EMC	Dielectric Withstand (HI-POT)	Primary to Secondary: 3000VAC for 1min, 10mA		
	Insulation Resistance	Primary to Secondary: >7M ohm for 500VDC		
	Standards	cULus 62368-1, IEC 62368-1, AS/NZ 60950-1 :2011+A1		
	EMI Emissions	FCC Part 15 Class B, CAN ICES-003(B)/NMB-003(B), EN 55032/CISPR 32 Class B Conducted and Radiated		
	Harmonic Current Emissions	IEC 61000-3-2		
	Voltage Fluctuations & Flicker	IEC 61000-3-3		
	Immunity	EN 55024/CISPR 24: IEC 61000-4-2 (+/- 8kV air, +/- 4kV contact), IEC 61000-4-3, IEC 61000-4-4, IEC 61000-4-5 (+/- 1kV), IEC 61000-4-6, IEC 61000-4-8, IEC 61000-4-11		
Mechanical	Dimensions (L x W x H)	71.7mm (2.82in) x 45mm (1.77in) x 29.79mm (1.17in)		
	Weight	120g		
	DC Output Connector	2.1mm x 5.5mm x 9.5mm Barrel	USB Micro-B	USB Mini-B
Notes	<ol style="list-style-type: none"> The specifications defined are at ambient temperature of 25°C, unless otherwise specified. Special order item. Minimum order quantity applies. 20MHz bandwidth frequency oscilloscope, add a 0.1µF multilayer Cap. and Low ESR Electrolytic Cap. (10µF) at output connector terminals (nominal line voltage, full load). Efficiency is measured after 30 minutes burn-in. 			

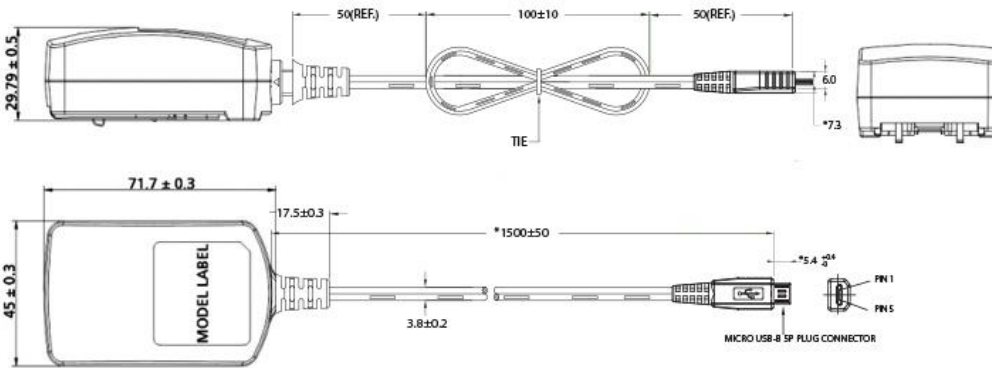


PSAC05R Outline Drawings

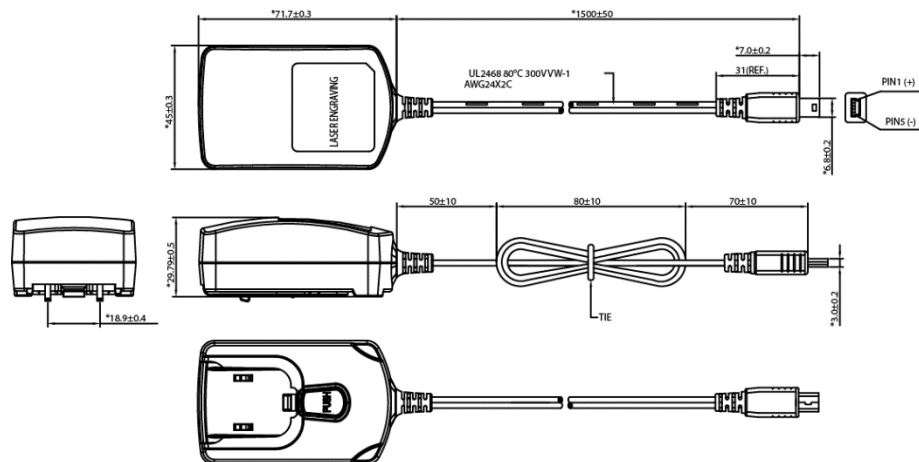
PSAC05R-050L6-R: mm



PSAC05R-050L6M-R: mm



PSAC05R-050L6B-R: mm






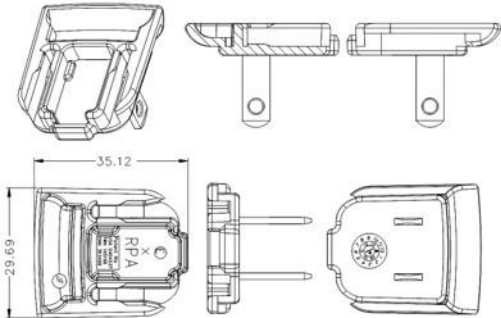

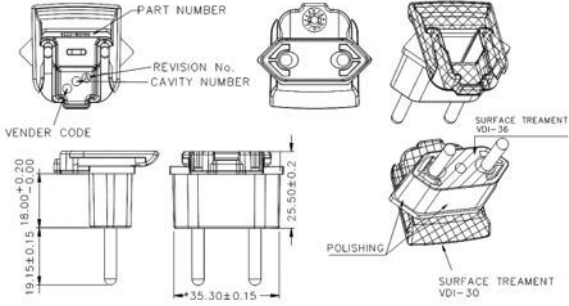

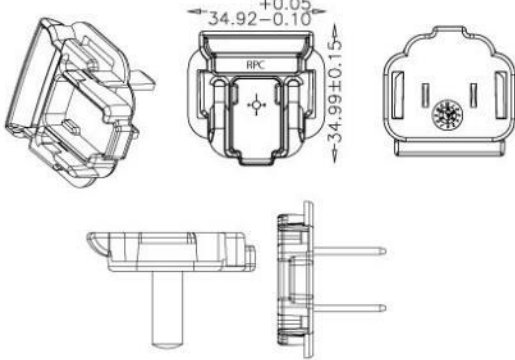

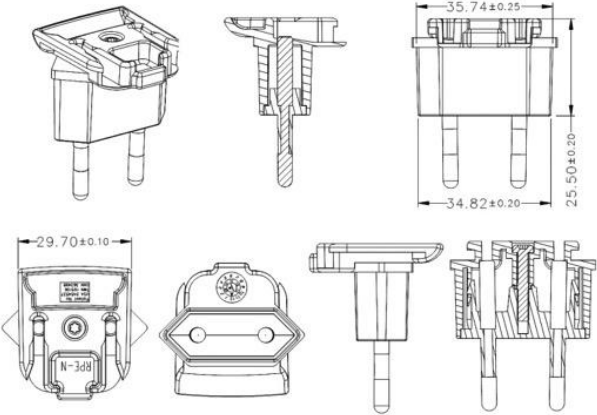
**Supplier's Declaration of Conformity
47 CFR § 2.1077 Compliance Information**


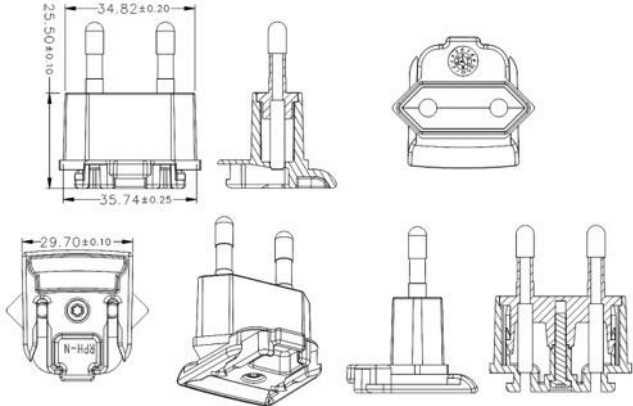

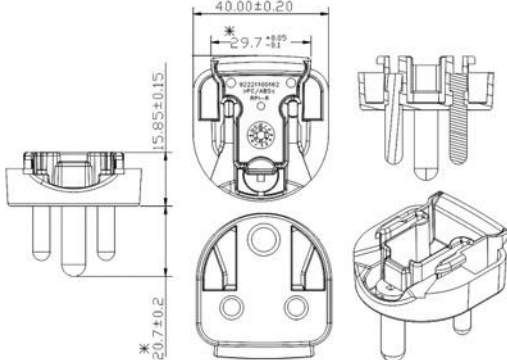

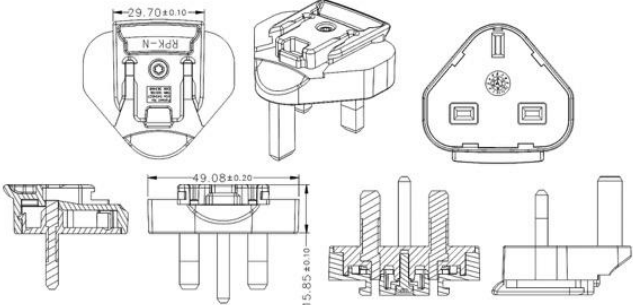

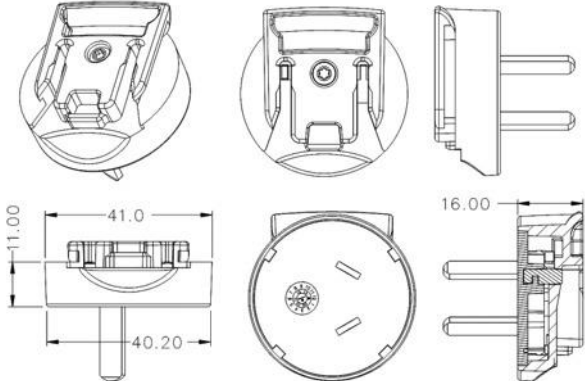
Phihong USA Corporation
47800 Fremont Boulevard
Fremont, CA 94538
Telephone: (510) 445-0100
www.phihong.com


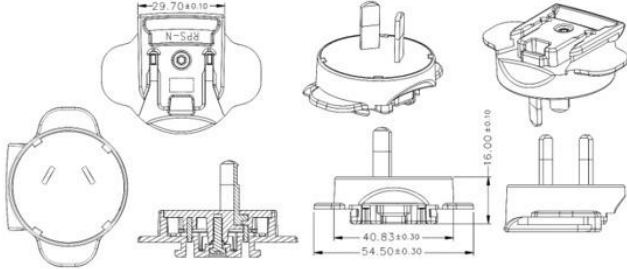
This device complies with/The devices in this product series comply with part 15 of the FCC Rules. Operation is subject to the following two conditions: (1) This device may not cause harmful interference, and (2) this device must accept any interference received, including interference that may cause undesired operation.



AC Input Clips – Sold Separately

Model	Photo	Description	Outline Drawing - mm
RPA-AB01B-H		US Clip	
RPB-AB01B-H		Brazil Clip	
RPC-AB01B-H		China Clip	
RPE-AB01B-H		Europe Clip	

Model	Photo	Description	Outline Drawing - mm
RPH-AB01B-H		Korea Clip	
RPI-AB01B-H		India Clip	
RPK-AB01B-H		UK Clip	
RPN-AB01B-H		Argentina Clip	

Model	Photo	Description	Outline Drawing - mm
RPS-AB01B-H		Australia Clip	
RPBAG-AB01B-H	<p data-bbox="402 604 1451 636">Product package comes with RPA-AB01B-H, RPE-AB01B-H, RPK-AB01B-H and RPS-AB01B- in a plastic bag.</p> 